

# Spicer® HR36000 Series Powershift Transmission

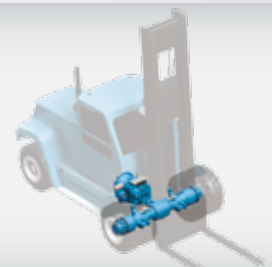
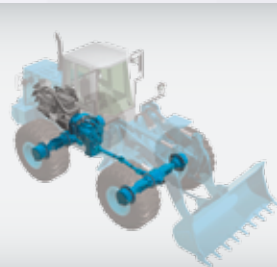
150 to 240 kW (200 to 320 hp)



**SPICER®**  
*Off-Highway Systems*



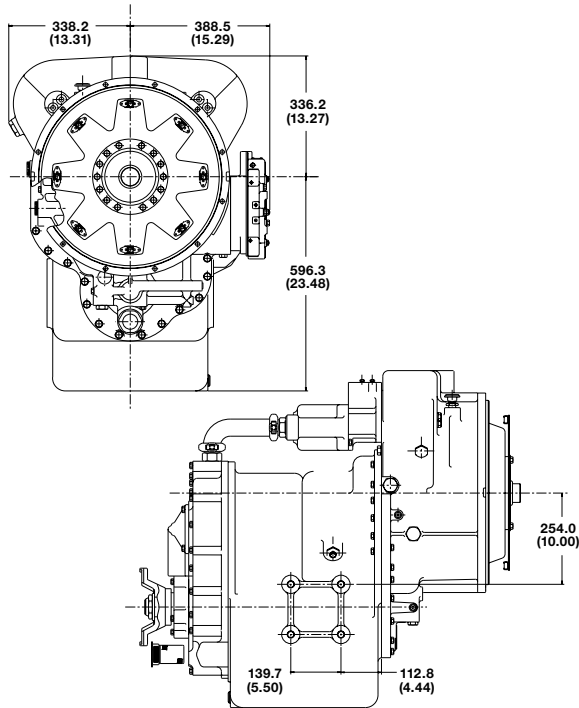
Designed to provide strength, durability, and power for heavy-duty and rough terrain machinery in mining, construction, and industrial applications.



# Spicer® HR36000 Series Powershift Transmission

150 to 240 kW (200 to 320 hp)

The HR36000 Series powershift transmission has been designed for heavy-duty applications, including rough terrain lift trucks; front end loaders; rough terrain cranes; and other mining, construction, and industrial machinery. The three-, four- and six-speed heavy-duty full powershift transmissions are available in a wide range of ratios with multiple configurations such as engine, midship or remote mounting.



## General Rating

<b>Input Power kW (hp)</b>	150 to 240 (200 to 320)
<b>Input Maximum (RPM)</b>	2800
<b>Turbine Stall Nm (ft-lb)</b>	2455 (1810)
<b>Total Assembled Weight with SAE 3 Bell Housing Kg (lb)</b>	Short drop: 640 (1410) Long drop: 720 (1587)

## Features and Benefits

- 3-, 4-, and 6-speed full powershift transmissions
- Short and long drops
- Available in a wide range of ratios
- Engine, midship or remote mounting
- Flex plate drive

## Options

- Automatic lock-up
- Automatic shift
- Axle disconnect: front or rear, towing disconnect
- Clutch modulation (3- and 4-speed only)
- Clutch release: air or hydraulic
- Emergency steering pump drive (only on long drop)
- Provision for variable displacement pumps
- Pump disconnect
- Speedometer drive
- Bi-directional PTO (4-speed only)

## Converter

<b>Housing</b>	SAE No. 1 (Dry)	
<b>Stall Torque Ratio Options</b>	HR & MHR Models: From 1.78 up to 3.09	R Models: See remote converter
<b>Torque Converter Diameter mm (in)</b>	355.6, 381, 406.4 (14, 15, 16)	
<b>Mounting</b>	Integral engine mount, midship mount, or remote mount	

## Auxiliary Pump Drive

<b>Pump Drive Ratio</b>	1:1
<b>Torque Capacity Nm (ft-lb)</b>	576 (425)
<b>Pad Type</b>	SAE "C"
<b>Pump Mounting</b>	2- or 4-bolt

## Flanges

<b>Spicer</b>	1800
<b>Mechanics</b>	8C/8.5C/9C
<b>GWB</b>	387/40

## Ratios (Standard)

Short Drop	1 <sup>st</sup> Gear	2 <sup>nd</sup> Gear	3 <sup>rd</sup> Gear	4 <sup>th</sup> Gear	5 <sup>th</sup> Gear	6 <sup>th</sup> Gear
<b>3x3 (36315)</b>	4.85	2.42	0.78	—	—	—
<b>3x3 (36355)</b>	3.04	1.52	0.78	—	—	—
<b>4x4 (36415)</b>	4.85	2.42	1.38	0.78	—	—
<b>4x4 (36430)</b>	7.02	2.93	1.67	0.95	—	—
<b>4x4 (36431)</b>	6.39	2.66	1.52	0.86	—	—
<b>4x4 (36432)</b>	5.82	2.42	1.38	0.78	—	—
<b>Long Drop</b>						
<b>3x3 (36323)</b>	4.88	2.44	0.79	—	—	—
<b>4x4 (36420)</b>	5.33	2.44	1.39	0.79	—	—
<b>4x4 (36424)</b>	4.44	2.22	1.26	0.72	—	—
<b>4x4 (36425)</b>	4.04	2.02	1.15	0.65	—	—
<b>4x4 (36440)</b>	5.85	2.44	1.39	0.79	—	—
<b>4x4 (36441)</b>	5.33	2.22	1.26	0.72	—	—
<b>4x4 (36442)</b>	4.85	2.02	1.15	0.65	—	—
<b>6x3 (36626)</b>	7.87	(5.94)	2.98	(2.25)	0.95	(0.73)
<b>6x3 (36629)</b>	8.85	(6.39)	3.69	(2.66)	1.38	(0.99)
<b>6x3 (36666)</b>	5.02	(3.79)	2.29	(1.73)	0.96	(0.73)

## Dimensions – Oil Capacity

<b>Output Drop Vertical mm (in)</b>	Short drop: 317.8 (12.51) Long drop: 609.6 (24)
<b>Oil Capacity L (gal)/Type</b>	Short drop: 45 (12) Long drop: 40 (10.6)
<b>Oil Filter</b>	Remote dual spin-on filter

## Sales Office – Italy

Zona Industriale  
Arco, Italy 38062

[www.dana.com/offhighway](http://www.dana.com/offhighway)



**SPICER®**

Off-Highway Systems

## Application Policy

Capacity ratings, features, and specifications vary depending upon the model and type of service. Application approvals must be obtained from Dana; contact your representative for application approval. We reserve the right to change or modify our product specifications, configurations, or dimensions at any time without notice.